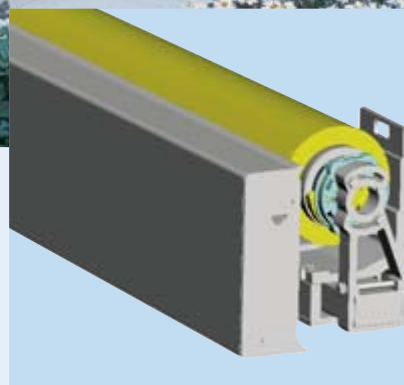


We reserve the right to make technical alterations. December 2009



Luxury sun protection

especially for niche installation

www.weinor.com

Relax al Fresco | **weinor**



N 2000, retracted

Front rail protects fabric and mechanism

Sometimes the design of the building does not give you any option. The awning can only be fitted into a niche. Or, the awning has to be as inconspicuous as possible on the wall and a niche was included in the design of the house for later installation of an awning.

With the **N 2000**, makes this possible. Most of the awning's mechanism is protected, hidden inside the brickwork. When the front rail is retracted it sits inconspicuously flush with the wall, protecting the fabric and the mechanism from wind and weather.

Technical details

Max. size of N 2000

- 700 cm wide x 350 cm max. projection (single section unit)



Technical equipment

- Gutter incorporated into the front rail with controlled drainage
- Enforced closure of the front rail by the stop cam
- Fabric fixing ensures the fabric remains taut

Powder coating

- In 47 standard colours
- Surface permanently resistant to scratching and weather

Pattern

- Large selection of fabrics from the current weinor collections

Folding arm

- Tilting arm member with wind lock safety device and round steel linking chain
- Drop forged arm parts

Drive

- Motor as standard

Options

Attachment

- Extruded wall bracket especially for niche installation, powder coated in the same colour as the awning

Options

- Removable valance
- Remote control
- Sun and rain monitors
- Automatic rain sensor

The technical product highlights of the N 2000 niche awning



N 2000

Especially for niche installation
The N 2000 is designed especially for niche installation, whereby the masonry replaces the top, back and side sections



Open-link chain in the arm joint

The tilting arm member with chain

The open-link chain in the arm joint is made of special high-grade round steel and constantly undergoes continuous testing. Even after many thousand movements no appreciable wear and tear can be detected. For this reason, we offer a 10-year guarantee on the open-link chain in the centre joint of the awning arm.

The arm geometry

Ensures that the awning retracts and opens smoothly and prevents the fabric from resting on the tilting arm members.

The front rail with stop cam

The stop cam in the front rail ensures that the awning retracts correctly, thereby providing maximum protection for the fabric when retracted.

The front rail holder with movable bearing

The front rail holder with movable bearing adds more leeway, for example in the case of one-sided loads or the angle adjustment mechanism.



Tilting part with wind lock safety device



Front rail holder with movable bearing

The angle adjustment mechanism

The pitch can be only adjusted through the tilting arm members. The cassette itself stays firmly locked in place.

The gutter

It takes the residual water which can collect if the awning is retracted when wet.

The wind lock safety device

The patented wind lock safety device prevents the awning from being uplifted by surging winds, even if the awning has only been opened by a third.

Description	Patent no
Tipping hinge for Awnings	000000620334

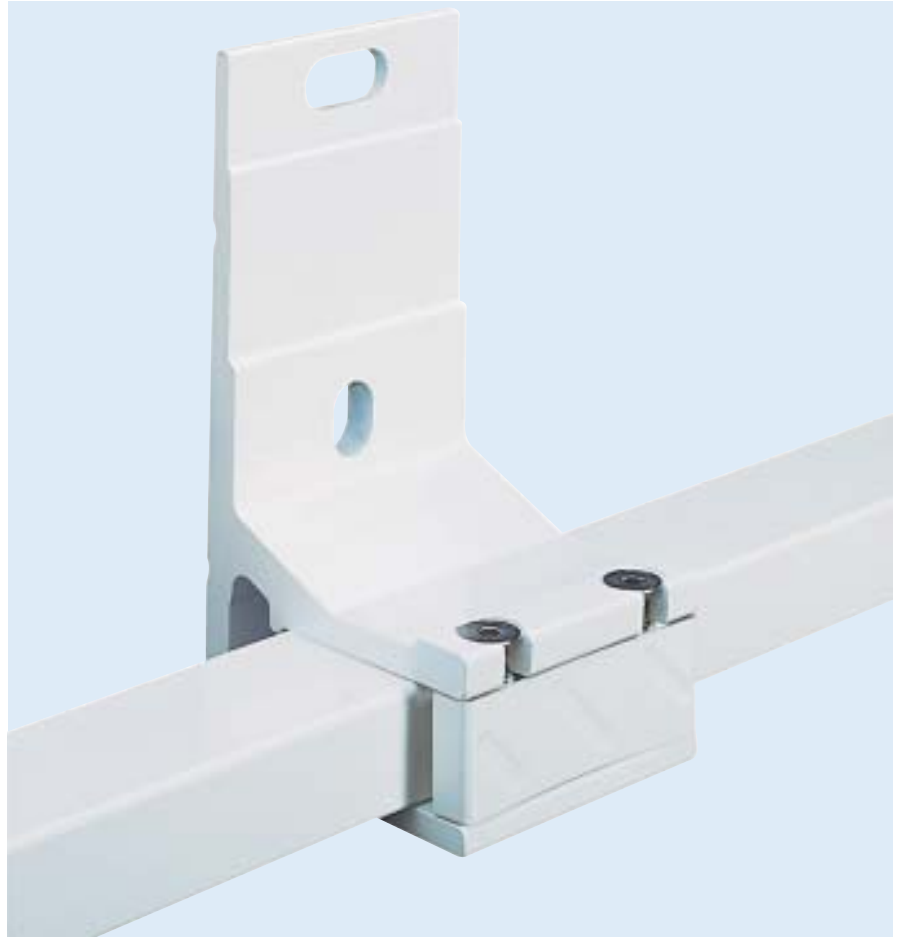
The technical product highlights of the N 2000 niche awning

Simple to fit

The N 2000 is relatively simple to fit, even in a niche. The niche wall bracket was designed especially for niche mounting. Here, the securing screws are accessible from above.

The open jaw of the wall bracket makes it easy to push the carrier bar in while, at the same time, clamping it more firmly in place.

The wall brackets have pre-punched holes as standard, making it easier to mark the positions of the brackets.



Jaw-shaped opening in the wall bracket with access to the securing screws from above.

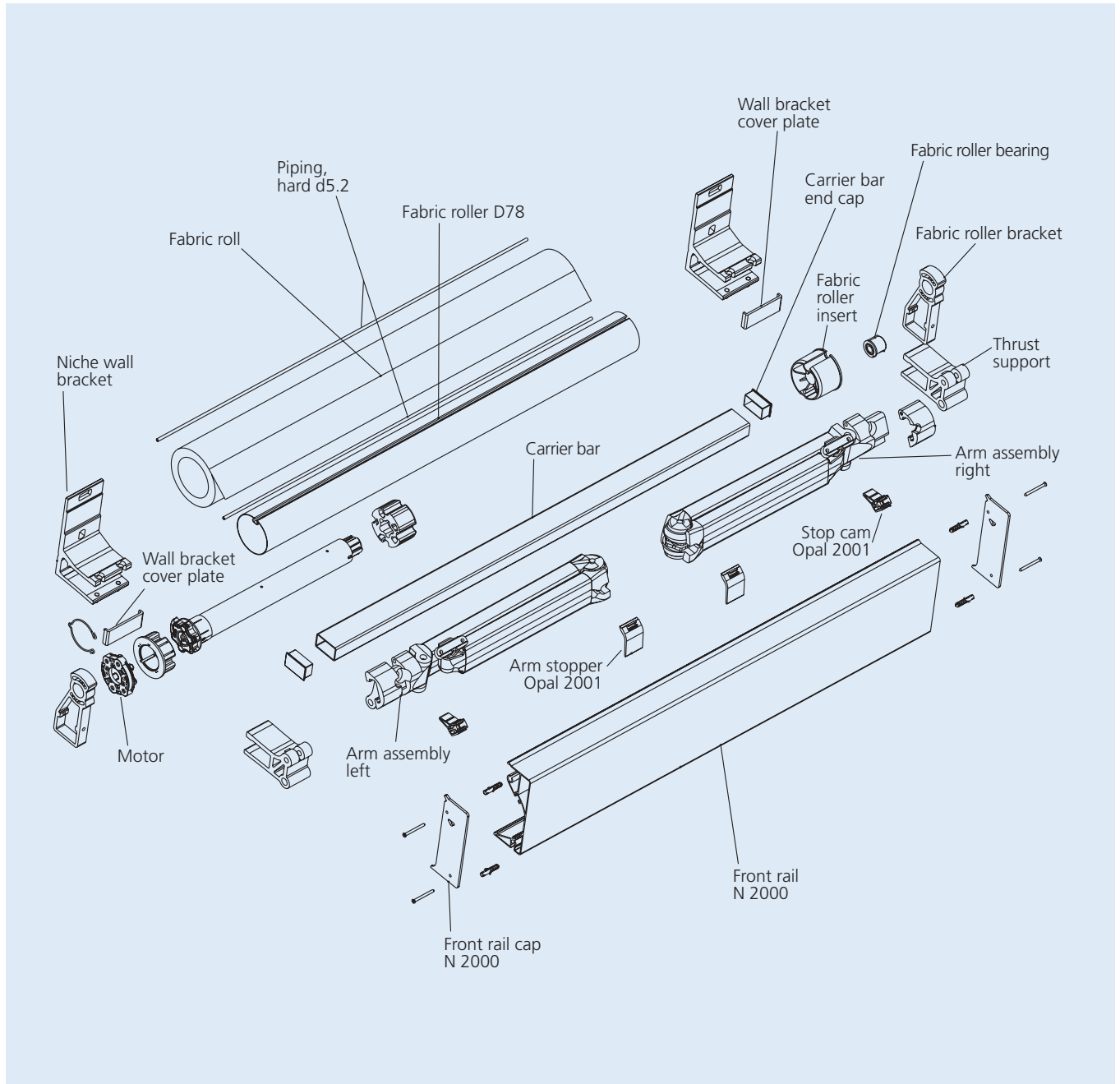
Product benefits at a glance

Designation	Material	Surface treatment	Qualities	Your advantages
Tilting part Upper arm insert Centre joint Lower arm insert with front rail holder	Aluminium, drop-forged	Chrome-free pre-treated, powder coated	Highly resistant to breakage, surface permanently resistant to scratching and weather	The weinor tilting arm member is a masterpiece of modern awning technology. The advantages: special arm geometry and thus the fabric does not rest on it. Stability and durability thanks to the high-grade materials.
Rotating parts in the arm	Stainless steel bolts with Teflon-coated sleeves on bearings		Maintenance-free, rust-free, reliable	High-grade components mean permanent free movement when opening and retracting.
Arm section Front rail	Aluminium, extruded	Chrome-free pre-treated, powder coated	Surface permanently resistant to scratching and weather	You choose the powder coating colour for your awning sections to suit your personal taste.
Open-link chain in the arm	Round steel, special high grade		Extremely high resistance to wear and tear	Virtually non-wearing in continuous testing – therefore 10-year guarantee on the open-link chain in the centre arm joint.
Wind lock safety device	Aluminium slider, extruded		Maintenance-free, rust-free, reliable	Innovative technology from weinor reliably prevents the awning from being uplifted and banged down by surging winds.
Fabric roller bearing	Aluminium, extruded	Machine-edged, chrome-free pre-treated and powder coated	Surface permanently scratch and weather resistant	Sophisticated quality, precise and weather resistant down to the very last detail.
Rectangular support pipe 50 x 30 mm	Steel	Galvalume coated, chrome-free pre-treated and powder coated	High torsional strength, surface permanently weather-resistant	Quality, stability and weather resistance that you can depend on permanently.
Screws	Stainless steel		Non-corrosive	No rust, no appreciable wear and tear
Awnings material	Acrylic		Spin-jet dyed, impregnated	The weinor fabric collection offers a wide variety of sophisticated designs.
Drive motor			Precision, sturdy construction	The awning is opened and retracted by an electric tubular motor which is integrated into the fabric roller and which can be operated, for example, by a wall switch.

Product options at a glance

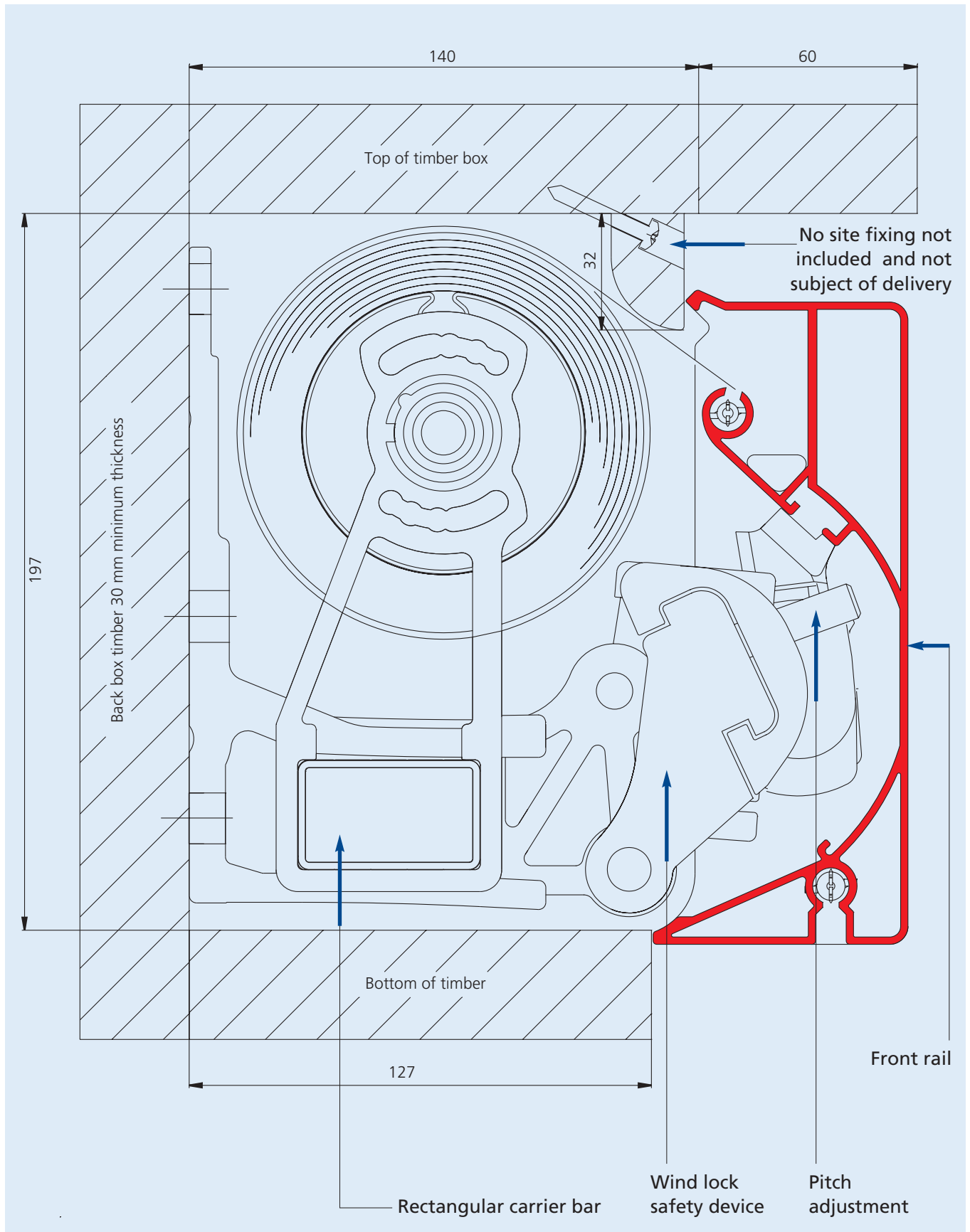
Designation	Material	Surface treatment	Qualities	Your advantages
Awning fabric from external suppliers	Acrylic	Spin-jet dyed, impregnated	Warp printed, watertight	Even greater selection of unicolour and striped fabrics.
Removable valance	Acrylic	Spin-jet dyed, impregnated	Light and weather proof	The piped border makes fitting and removing the valance simple.
Remote-controlled drive				On request, an integrated tubular motor with WeiTronic receiver can be fitted. The WeiTronic Remoto handheld remote control makes for easy operation of the awning. See the Accessories section for more details.
Niche wall brackets	Aluminium, extruded, sections cut and machined	Machine-edged, chrome-free pre-treated, powder coated	Surface permanently scratch and weather resistant	Sophisticated quality, precise and weather resistant down to the very last detail. Easier service due to use of same components

Exploded drawing of N 2000

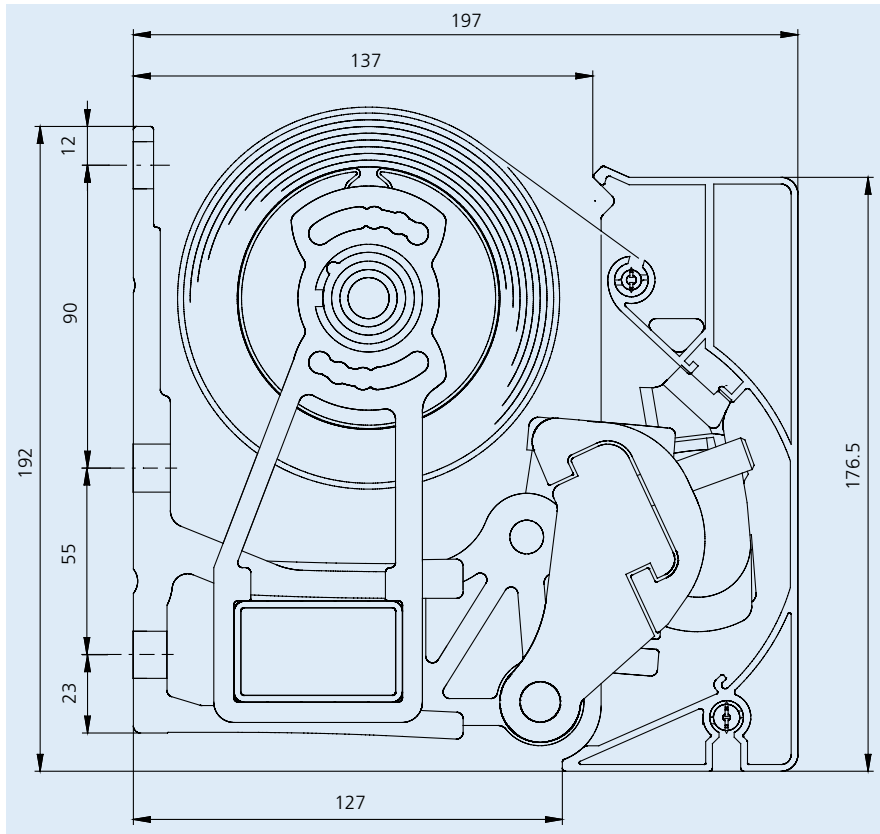


We reserve the right to make technical alterations. December 2006

Cross-sectional drawing N 2000 – not to scale

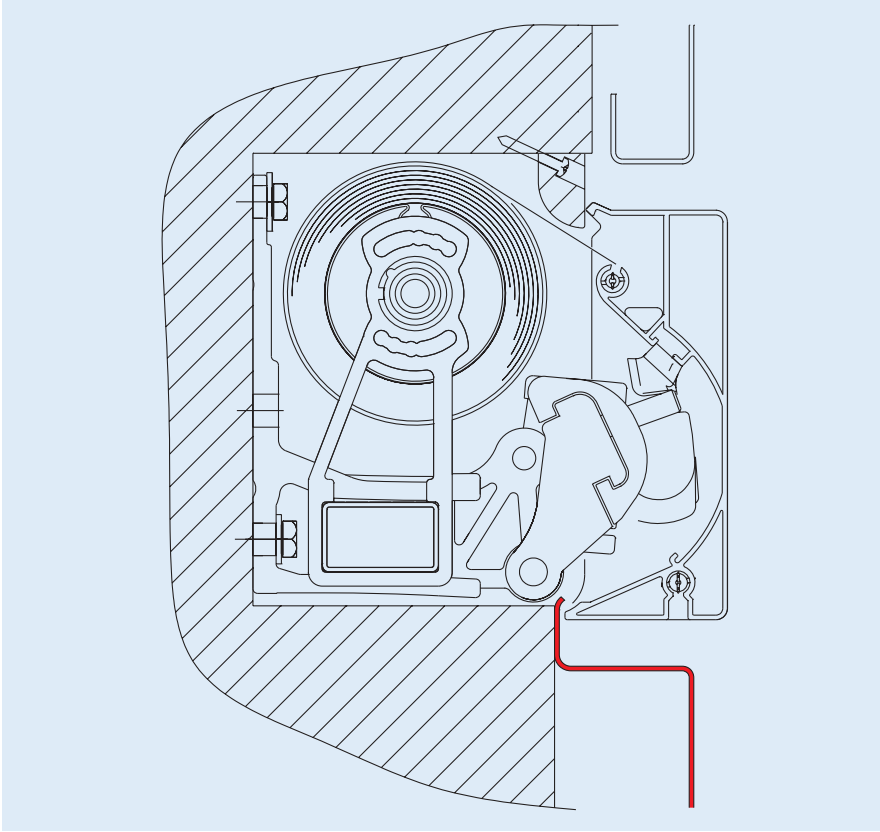


Cross sections and dimensions



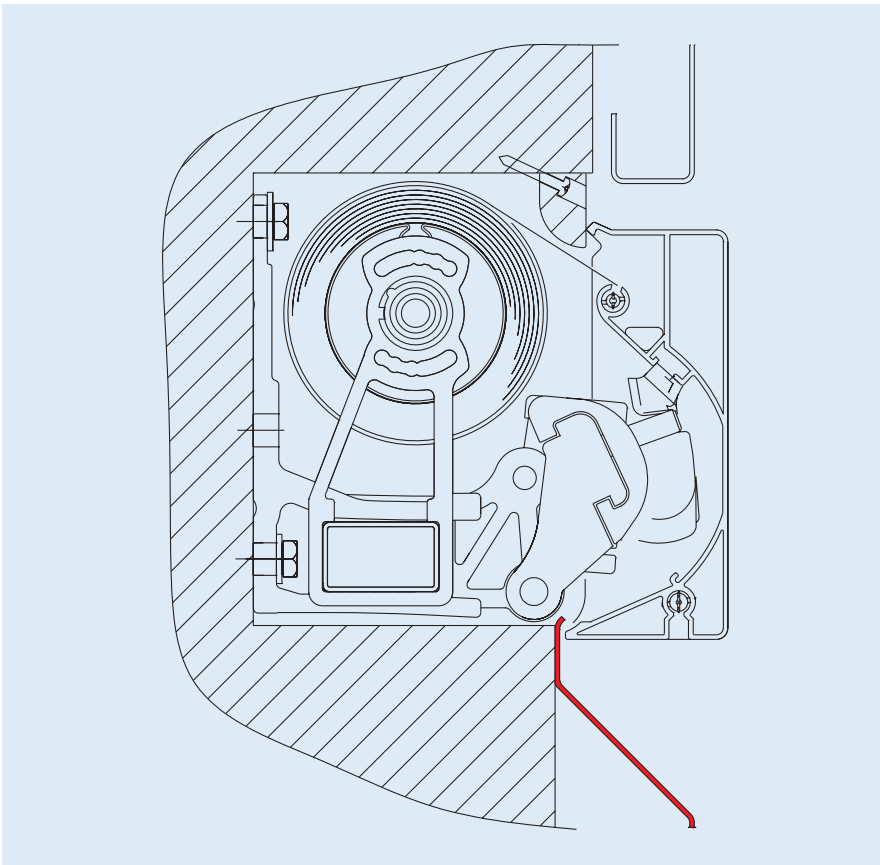
Cross section N 2000

Fitting variations on weinor N 2000 in niche assembling



Up to 15 degree pitch

Attention to collision of frontrail with low facade profile.



Up to 45 degree pitch