





Semi-cassette awning weinor *Semina*


### **Beautifully shaped and compact**

With its half-round roof and beautifully shaped front rail, the technology and fabric in the *Semina* is immune from any type of weather. Rainwater is led off to the sides via the gutter in the front rail. If the fabric should actually get wet, the water simply rolls down and off.

The shallow dimensions of 20.4 x 20.4 cm make the *Semina* the compact alternative.

## Technical details

### Max. size of weinor *Semina*

- 600 cm wide x 350 cm max. projection angle (2 arms) or 700 cm wide x 350 cm max. projection angle (3 arms)
- Safety checked by German TÜV 

### Technical equipment

- Compact cassette dimensions
- Large, sturdy front rail masks any view of the awning's mechanical parts when closed, no valance required
- Gutter and controlled water drainage integrated into the front rail
- Gap cover brush in the ceiling section prevents the fabric from chafing on the roof profile
- Anti-wear fabric protection through sliding film in sliding support (for widths of 3.50 m and more) in the inner casing

- Exact retraction of the front rail thanks to stop cams
- The arm stoppers prevent the arms from touching the front rail during retraction

### Powder coating

- In 47 standard colours
- Colour-contrasting box and front rail end caps
- Surface permanently resistant to scratching and weather

### Pattern

- Large selection of fabrics from the current weinor collection

### Folding arm

- Tilting arm member with patented wind lock safety device and round steel linking chain
- Drop forged arm parts

### Drive

- Motor as standard

## Options

### Brackets

- Extruded wall brackets, powder coated in the same colour as the awning

### Removable valance

- Standard height: 20 cm

### Drive

- Crank mechanism
- Remote controlled motor

### Accessories

- Sun and rain monitors
- Automatic rain sensor
- **Light Bar Lux**
- **Heating system Tempura**

## The technical product highlights of the weinor Semina



weinor Semina

### The support section

Wherever forces act on the tilting arm members, the support section provides the weinor Semina with the necessary stability.

### The sliding film in the sliding support

Helps to prevent the fabric from wearing in the sliding support. Both are installed as standard in all awnings with a width of at least 3.50 m.

### The gap cover brush in the ceiling section

Prevents the fabric from chafing on the roof profile.

### The large, sturdy front rail

When the awning is retracted, this rail masks any view of the mechanical parts inside the awning, thus eliminating the need for an additional valance. Valances are also available as extras, however.



Open-link chain in the tilting arm member

### The tilting arm member with chain

The open-link chain in the arm joint is made of special high-grade round steel and constantly undergoes continuous testing. Even after a thousand movements, no appreciable wear and tear can be detected. For this reason, we offer a 10-year guarantee on the open-link chain in the centre joint of the awning arm.



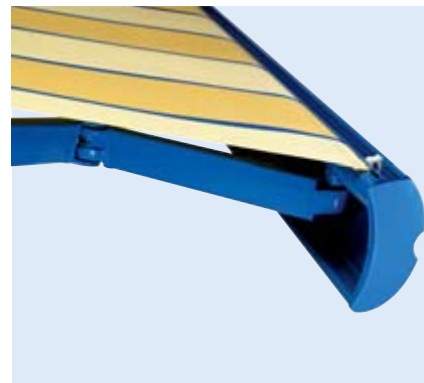
Tilting part with wind lock safety device

### The wind lock safety device

The patented wind lock safety device prevents the awning from being uplifted by surging winds.

### The angle adjustment mechanism

This is performed exclusively through the tilting arm members. The cassette itself stays firmly locked in place.



Ingenious arm geometry

### The arm geometry

Ensures that the awning retracts and opens smoothly and prevents the fabric from resting on the tilting arm members.

### The stop cams

The stop cams on the tilting part of the folding arm and in the front rail ensure the awning retracts exactly.



### The front rail holder with movable bearing

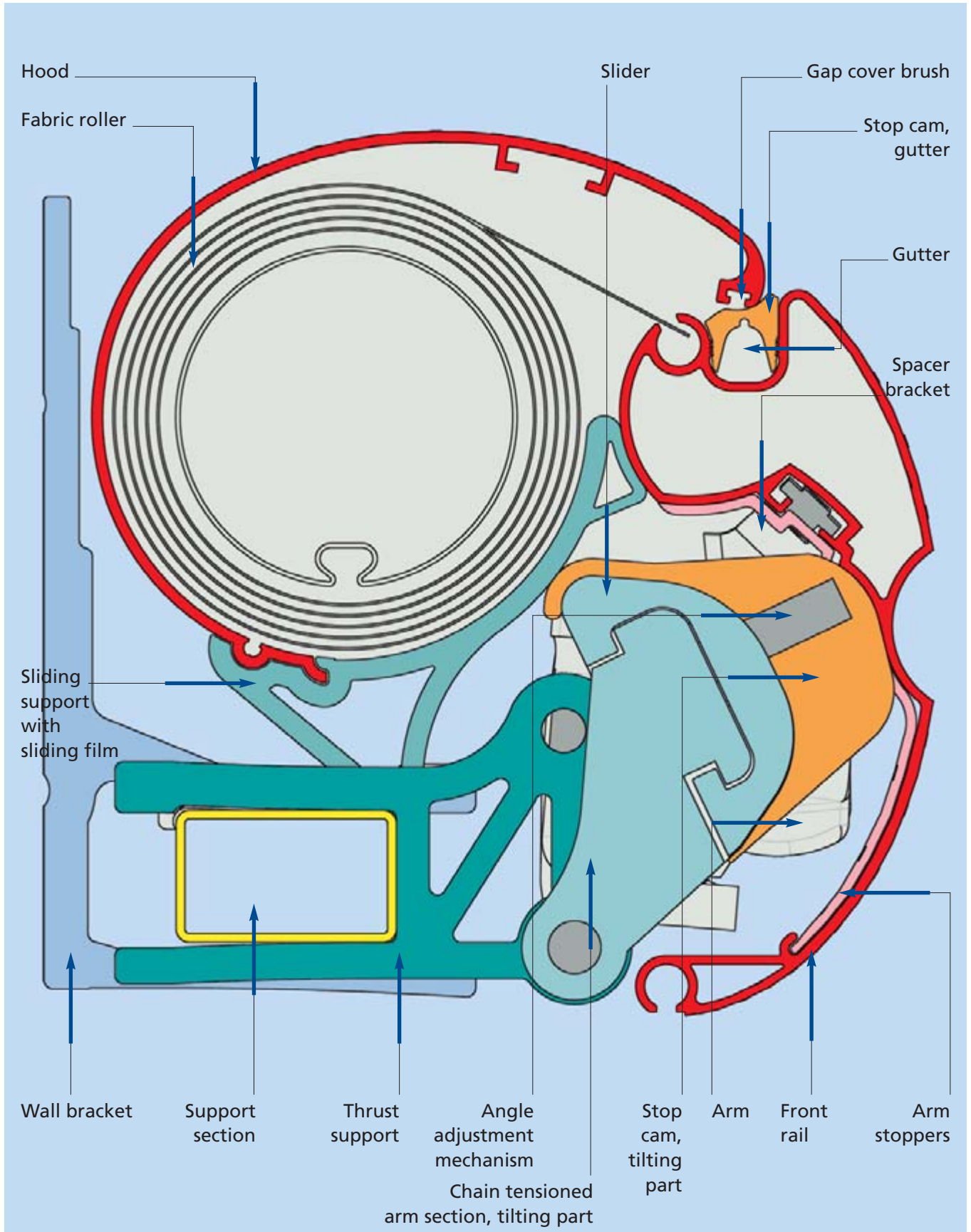
The front rail holder with movable bearing adds more leeway, for example in the case of one-sided loads or the angle adjustment mechanism.

### The gutter in the front rail

Rainwater is led off to the sides via the gutter in the front rail.

Description	Patent no
Boxed awning	00000942114
Awning	00000874104
Tipping hinge for awnings	00000620334
Awning	00001310609
Florentine blind with articulated arms	00000665346
Awning with infrared radiator and/or loudspeaker	00001403442

**Cross-section of the Semina**



*We reserve the right to make technical alterations. June 2010*

## Product benefits at a glance

Designation	Material	Surface treatment	Qualities	Your advantages
Tilting part Upper arm insert Centre joint Lower arm insert with front rail holder	Aluminium, drop-forged	Chrome-free pre-treated, powder coated	Highly resistant to breakage, surface permanently resistant to scratching and weather	The weinor tilting arm member is a masterpiece of modern awning technology. The advantages: special arm geometry and thus the fabric does not rest on it. Stability and durability thanks to the high-grade materials.
Arm section Front rail Ceiling section Sliding support	Aluminium, extruded	Chrome-free pre-treated, powder coated or technically anodised	Surface permanently resistant to scratching and weather	You choose the powder coating colour for your awning sections to suit your personal taste. Pre-treating the profile prevents corrosion altogether, even on damaged surfaces.
Rotating parts in the arm	Stainless steel bolts with bronze sleeves on bearings		Maintenance-free, rust-free, reliable	High-grade building components mean permanent free movement when opening and retracting.
Open-link chain in the arm	Round steel, special high grade		Extremely high resistance to wear and tear	Virtually non-wearing in continuous testing – therefore 10-year guarantee on the open-link chain in the centre arm joint.
Drop arm lock	Aluminium slider, extruded		Maintenance-free, rust-free, reliable	Prevents the awning from lifting up and crashing down in surging winds.
Top and front rail end caps	Cast aluminium	In same colour as the casing or contrasting colour	Resistant to twisting, surface permanently weather-resistant	Choose the colours for the end caps to match the fabric, façade or tone-in-tone.
Support section	Steel	Galvalume coated, chrome-free, pre-treated, powder coated	High twist strength, surface permanently weather-resistant	Quality, stability and weather resistance that you can depend on.
Screws	Stainless steel		Non-corrosive	No rust, no appreciable wear and tear
Drive motor			Precisely manufactured, sturdy design	The awning is opened and retracted by an electric tubular motor integrated into the fabric roller.

## Product benefits at a glance

Designation	Material	Surface treatment	Qualities	Your advantages
Awnings material	Acrylic	Spin-jet dyed, impregnated	Over 200 patterns to choose from	The weinor fabric collection offers a wide variety of sophisticated designs.
	Polyester	Spinneret dyed; high-clean nano-coating; polyester yarn; innovative weaving pattern	UV-resistant; dirt- and oil-repellent; very good recovery properties	High colour fastness; clean fabric; very good coiling properties; good fabric positioning

## Product options at a glance

Designation	Material	Surface treatment	Qualities	Your advantages
Awning fabric from external suppliers	Acrylic	Spin-jet dyed, impregnated	Warp printed, watertight	Even greater selection of unicolour and striped fabrics.
Removable valance	Acrylic	Spin-jet dyed, impregnated		The piped border makes fitting and removing the valance simple.
Drive Crank mechanism with limit stop	Gearing 4,4:1	Gear casing powder coated in black (similar to RAL 9005), white (similar to RAL 9016) or grey (similar to weinor 7319)	Gears with limit stop, easy to operate	Completely free from operating error. The limit stop prevents the fabric from rolling up incorrectly.
Remote-controlled drive				Upon request, an integrated tubular motor with <b>WeiTronic wireless receiver</b> can be fitted. The <b>WeiTronic Remoto handheld remote control</b> makes for easy operation of the awning. See the Accessories section for more details.
Light Bar Lux	Aluminium, extruded	Chrome-free pre-treated, powder coated	Surface permanently resistant to scratching and weather, dimmable	The weinor <b>Light Bars Lux</b> and <b>Lux Design</b> can be directly mounted onto the walls of the house. They are operated by means of a wall switch or remote control. See the Accessories section for more details.
Heating system Tempura	Corrosion-free materials	Chrome-free pre-treated, powder coated	Splash-proof, for use indoors and outdoors	The <b>Tempura heating systems</b> can be directly mounted onto the walls of the house. They are operated by means of a wall switch or remote control.
Wall and ceiling brackets	Aluminium, extruded, profile cut and machined	Machine-edged, chrome-free pre-treated, powder coated	Surface permanently scratch and weather resistant	Sophisticated quality, precise and weather resistant down to the very last detail. Easier service due to use of same components.





## Product option – Removable valance

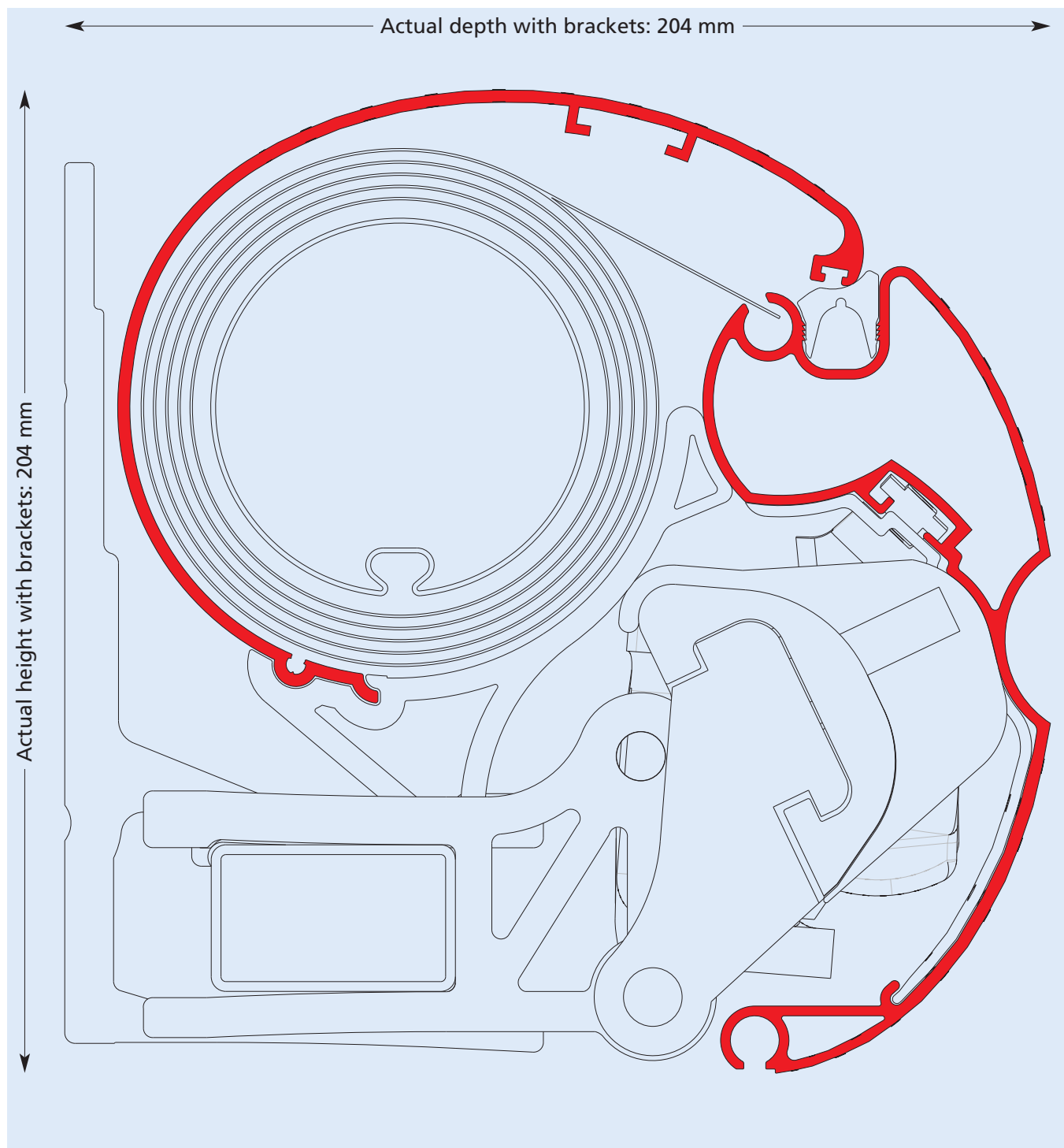
---



### **Removable valance**

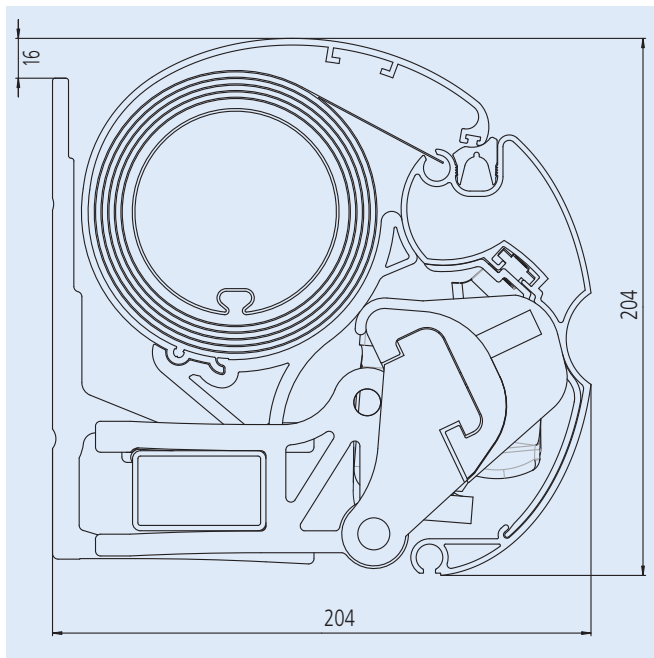
Can be removed in next to no time and stored away in winter to protect it from rough weather conditions. Valance height: 20 cm.

**Sectional drawing weinor Semina – not to scale**

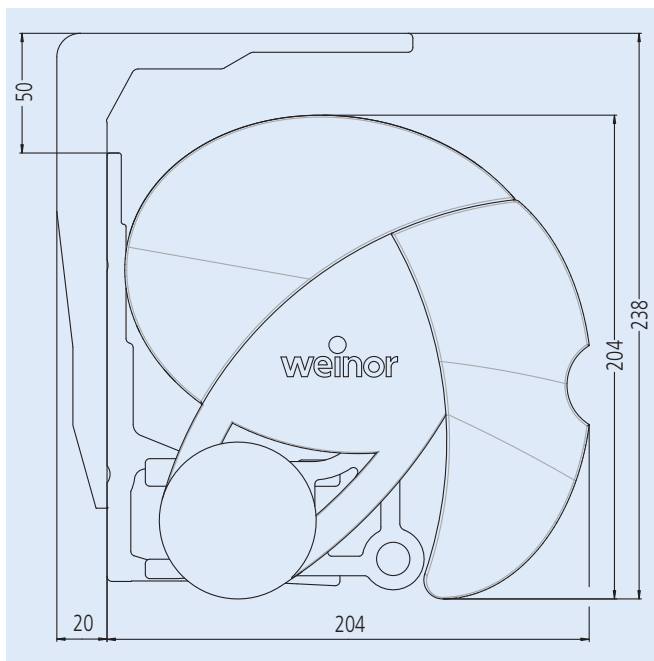


**Sectional drawings and dimensions**

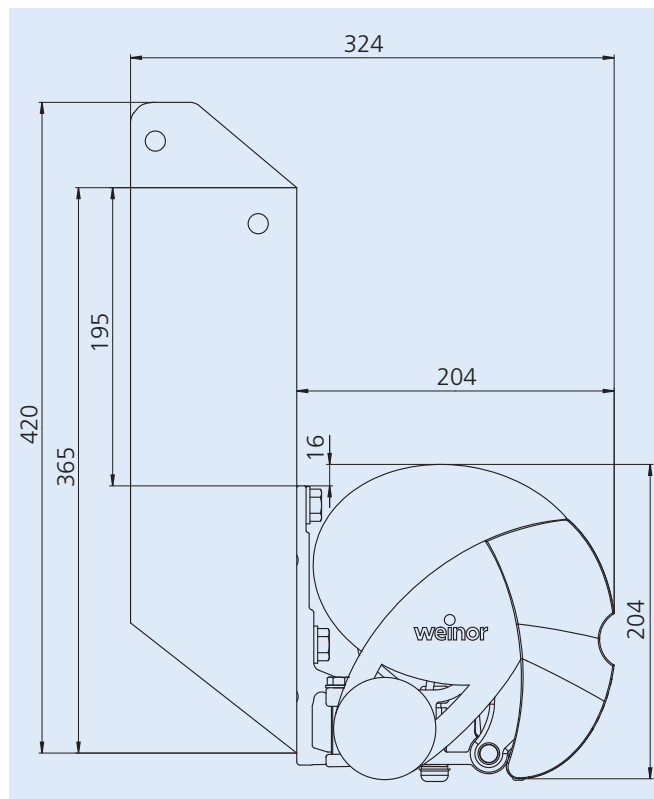
We reserve the right to make technical alterations. November 2011



**Semina when wall-mounted, incl. wall bracket**



**Semina when ceiling-mounted, incl. ceiling bracket**



**Semina when rafter mounted, incl. rafter brackets**