

WGM 1030/1000

The small conservatory awnings from the weinor **WGM** family



We reserve the right to make technical alterations. December 2006

Conservatory awnings
WGM
1030/1000



www.weinor.co.uk

WGM 1030/1000 1

weinor
THE AWNING
*... more than
sun protection*



WGM 1030 flat unit



WGM 1000 Solar bend unit

Smart design for small areas
 The WGM 1030 and WGM 1000 were designed especially for conservatories with smaller dimensions. Despite their dainty looks there is concentrated weinor technology in them. Like their big "sisters" their particular strengths lie in their ability to adapt.

→
 Conservatory awnings
 WGM 1030/1000

Technical Details

Max. sizes

WGM 1030 flat unit

- 1 section: axial dimension up to 450 cm, projection up to 500 cm
- Multi section: axial dimension up to 1800 cm, projection up to 500 cm
- Maximum fabric area 16 m² per section

WGM 1000 solar bend unit

- 1 section: axial dimension up to 400 cm, projection up to 500 cm
- Multi section: axial dimension up to 1200 cm, projection up to 500 cm

Technical equipment

- Guaranteed smooth-running combination of winding and guiding technology (European patent No. EP 0546297)
- Service friendly circular tensioning system (European patent No. EP 000000559959A3) with

TEX cord, patented cord coiling mechanism built into the outer rail and pre-tensioned

- Removable inspection cover
- Patented carriage system for one-sided winds (angled up to 10°)
- Protective brushes keep heavy rain out of the casing
- Casing overhangs only 5.5 mm to the side
- Intelligent coupling system for multi-section units
- Large selection of support brackets
- Distance bars for wider units and ones with longer projection

Powder coating

- In 47 standard colours
- 6 standard contrasting colours for top and outer rail end caps
- Surface permanently resistant to scratching and weather

Pattern

- Large selection of fabrics from the current weinor collections

Drive

- Motor as standard

Options

Drive

- Remote control

Controls

- Sun and wind monitors
- Automatic rain sensor

Accessories

- Heating system Tempura
- Light Bar Lux

The technical product highlights of the WGM 1030/1000



WGM 1030

Little casing overhang

With its slim casing whose side caps only overhang by 5.5 mm, the **WGM 1030** is also suitable for fitting in difficult places, e.g. in niches.



The carriage system ensures very quiet opening and retracting

The carriage system

Precision rollers reduce the friction considerably. This means that opening and retracting are extremely easy.

(European patent No.: EP 0545062)
(Tilt angle up to 10°)



Distance bar for larger sections

The distance bar

On units with larger dimensions, a distance bar is fitted so as to reduce the sag in the fabric.



Attractive cover caps

The cover caps

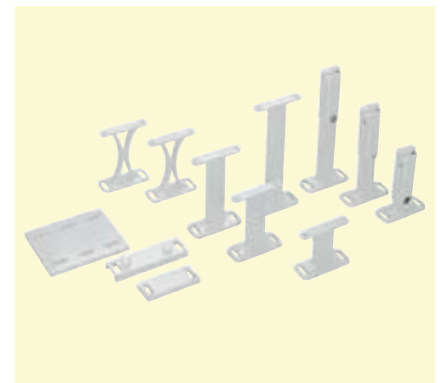
are of high quality cast aluminium and elegantly round off the side channels of the **WGM 1030/1000**. Their shape and colour harmonise with the awning casing cover caps.



Protective brushes in the awning casing

Protective brushes

In heavy rain, the protective brushes stop water getting into the cassette, especially when the **WGM 1030/1000** is not fitted at an angle but rather horizontally, e.g. with a minimum tilt angle of 5°.

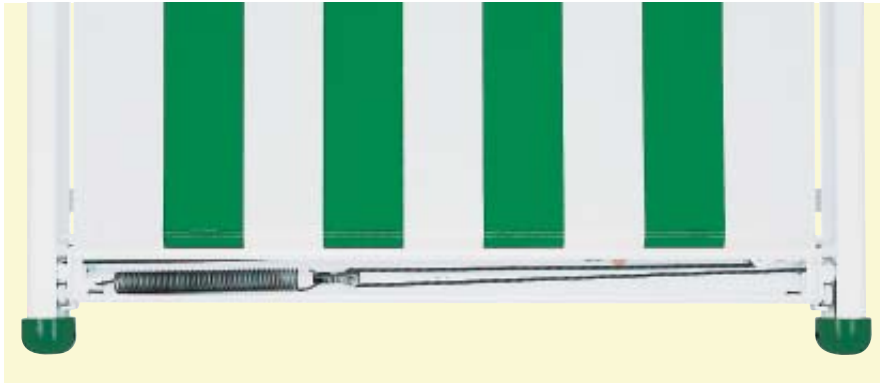


There is a wide selection of brackets available

The support brackets

A wide selection of different support brackets is available for the **WGM 1030/1000**. It is even possible to fit them in awkward locations.

The technical product highlights of the WGM 1030/1000



Open outer rail with patented tensioning system

The tensioning system

Its simple but at the same time robust design is simply captivating. The Tex cord, developed for ocean sailing, does not stretch and is both tear and tension proof. The combination of winding and guiding technology ensures that the cord is wound quietly in a controlled manner. The tensioning mechanism is easily accessible and service friendly in the outer rail.

The tension in the fabric can be adjusted simply with an Allen key. The refined technology ensures that the fabric stays permanently taut.

(Patent applied for P 4207821.0)

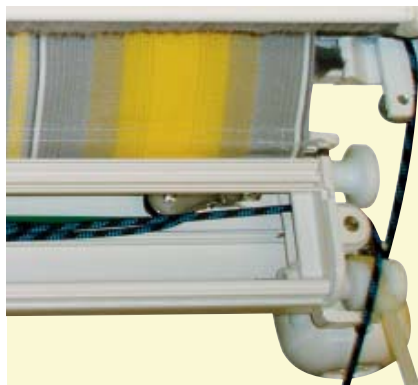


Patented cord drum and slider

When the **WGM 1030** flat units are delivered, the cord is already threaded into the outer rail and in the end cap.



Fabric tension can be adjusted easily



WGM 1030 with threaded cord

The technical product highlights of the WGM 1000 solar bend unit



Single section WGM 1000 solar bend unit



Retracted single section WGM 1000 solar curved unit



Support bracket

Solar bend

The WGM 1000 is designed especially for conservatories with a hip to the front. It combines well with the Aruba window awnings to provide additional vertical shade.

The carriage system

The patented carriage system plays a particularly important role on the curved unit because the cord is led precisely through the bend.
(Patent No. EP 054062)

Distance bars

In the area of the bend (max 35°), the fabric is fed through a sturdy distance bar (ø 60 mm). The standard internal radius of the Solar bend is 300 mm.

Side channels

On solar bend units, the side channels may be in several parts. If so, the support brackets should be placed at the joints.



Distance bars in the area of the bend



Support bracket at the joint

The technical product highlights of the WGM 1030/1000 multi-section units



WGM 1030 0-2-1, coupled, 2 sections, double side channel opened ...



Opened at the joint: the casing cover with cord drum and pulley block



... and retracted

The coupling system

The coupling system makes the fabric sections of multi-section units infinitely adjustable. Equal lengths of fabric look good. They can be adjusted and re-adjusted at any time.

Fitting the second casing with a fabric roller and the infinite adjustment of the fabric is particularly simple.

The cassette covers can be opened easily at the joint. Coupling is carried out with a square bolt. The support provided to the side channels by the support brackets is adequate as the casing is free-standing. The sturdy double side channel at the joint is also held up by just one line of support brackets.

Multi-section units for flat and solar bend units

Both with solar bend (WGM 1000) and without (WGM 1030) and coupled as multi-section units with up to four sections, the conservatory awning is the ideal shade for individually sized conservatories. The small casing overhang of just 5.5 mm even makes it suitable for fitting in niches.

Fabric rolled out the same distance

The precision rollers in the carriage and the patented coupling system ensure that the fabric in all sections opens the same distance. The fabric sections open and retract together.

The double side channel

Above a certain width, two individual sections are linked using a double side channel and driven by one motor.



Double side channel for guiding the fabric

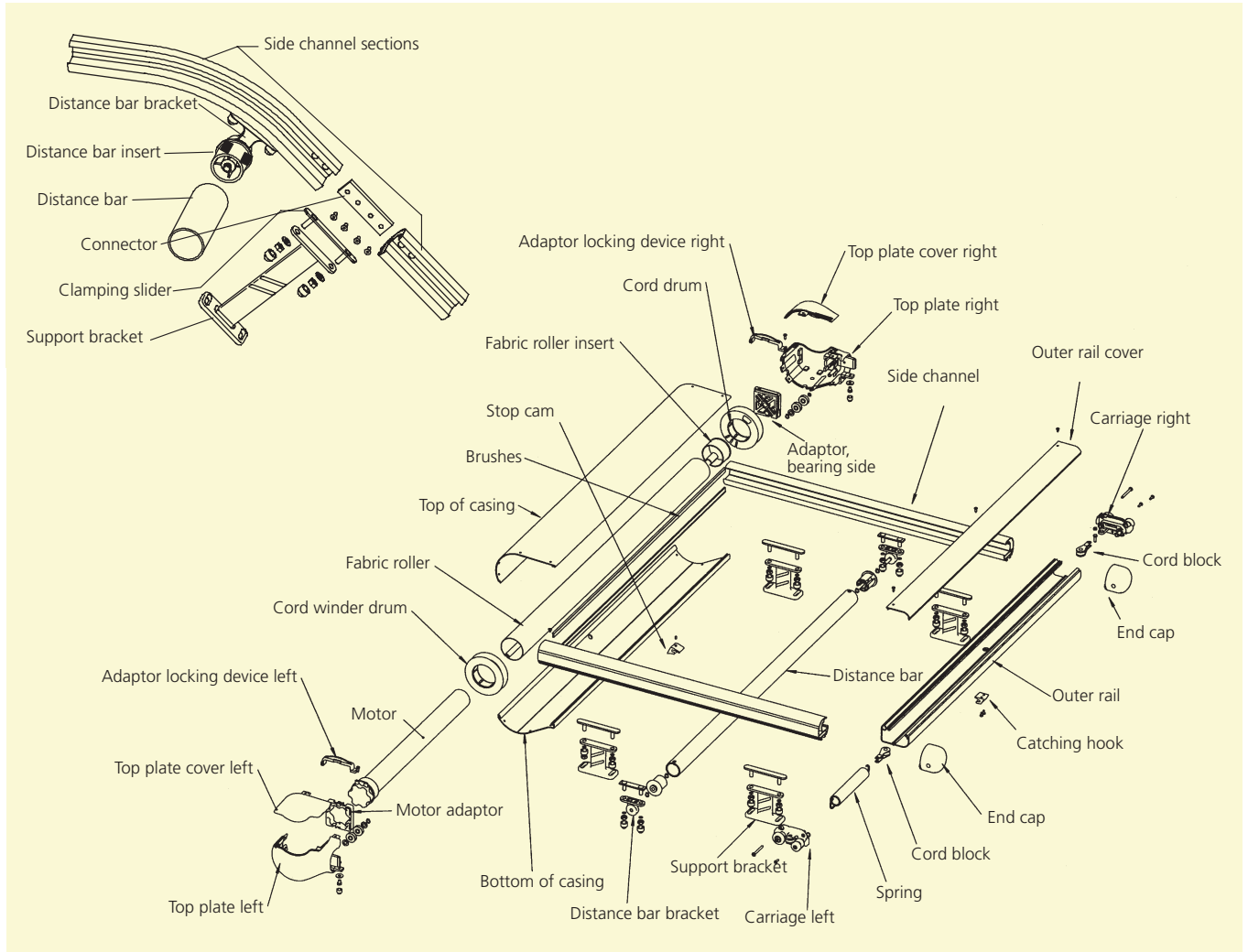
Product benefits at a glance

Designation	Material	Surface treatment	Qualities	Your advantages
Casing section Outer rail Guide section Support bar	Aluminium, extruded	Chrome-free pre-treated, powder coated	Surface permanently resistant to scratching and weather	You choose the powder coating colour for your awning to suit your conservatory. Pre-treating the profiles prevents corrosion altogether, even on damaged surfaces.
Cord in tensioning system	Tex cord as used in ocean racing			Robust, tear and tension proof, runs quietly
Patented tensioning system	With angle drive for tensioning			Easily accessible and can be adjusted at any time
Patented coiling and guiding system	Cord drum of high grade plastic Sliders: plastic, stainless steel			Controlled and quiet winding
Patented carriage system	Cast aluminium, precision rollers	Cast parts powder coated		Easy safe running
Support brackets Fixing brackets	Aluminium, extruded or cast aluminium	Machine-edged, chrome-free pre-treated, powder coated	Surface permanently protected	Rust protection, down to the last detail
Casing and outer rail end caps	Cast aluminium	In 6 standard coloured coatings	Surface permanently weather-resistant	Choose the colours for the end caps to match the fabric, the conservatory or tone-in-tone.
Screws	Stainless steel		Non-corrosive	No rust, no appreciable wear and tear
Awning material	Acrylic		Spin-jet dyed, impregnated	The weinor fabric collection offers a wide variety of sophisticated patterns.
Drive motor			Precisely manufactured robust design	The awning is opened and retracted by an electric tubular motor housed in the fabric roller.

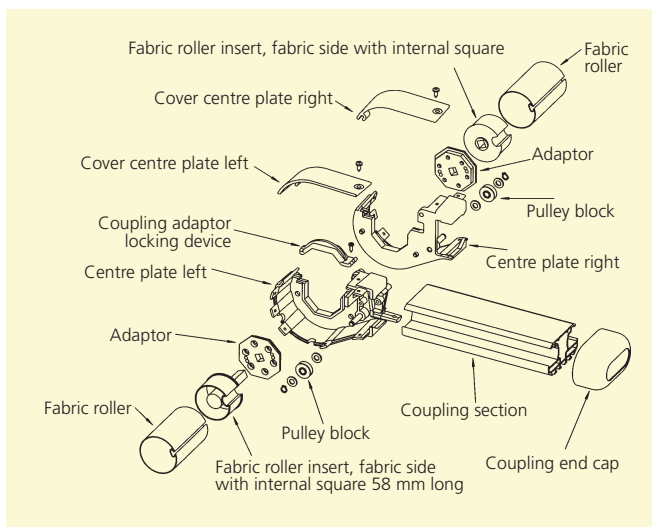
Overview of product options

Designation	Material	Surface treatment	Qualities	Your advantages
Awning fabric from external suppliers	Acrylic	Spin-jet dyed, impregnated	Warp printed, watertight	Even greater selection of unicolour and striped fabrics.
	Soltis 92	Specially coated polyester fibre	Microvented, light permeable	Light and wind permeable sun protection
Remote-controlled drive				<p>On request, an integrated tubular motor with WeiTronic receiver can be fitted. The WeiTronic Remoto handheld remote control makes for easy operation of the awning.</p> <p>See the Accessories section for details.</p>

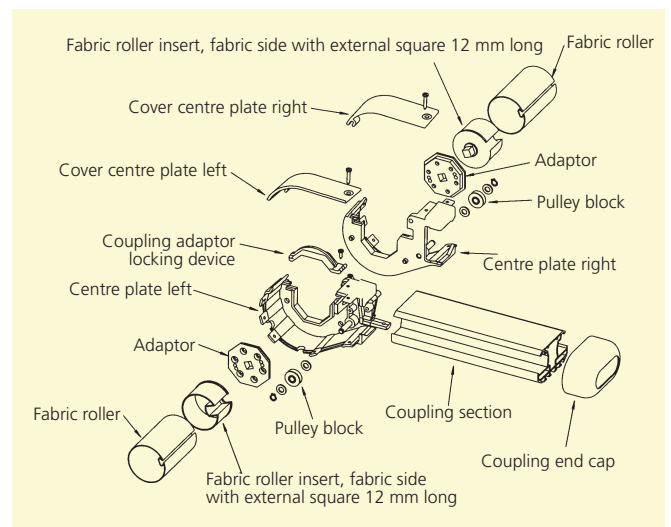
Exploded drawing of the WGM 1030/1000



We reserve the right to make technical alterations. December 2006

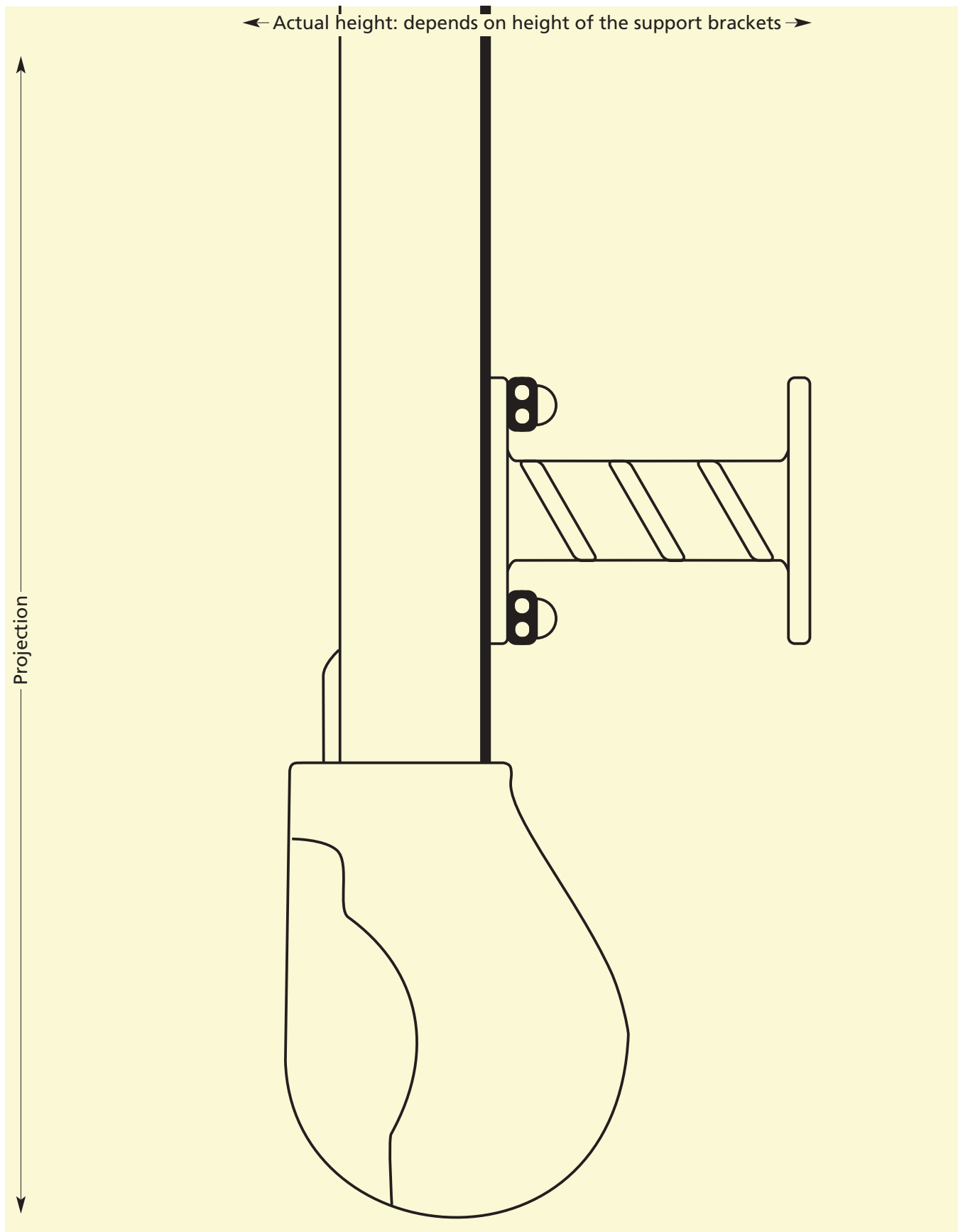


Joint with 1 motor: The sections to the left and right, next to the joint are driven by the same motor.

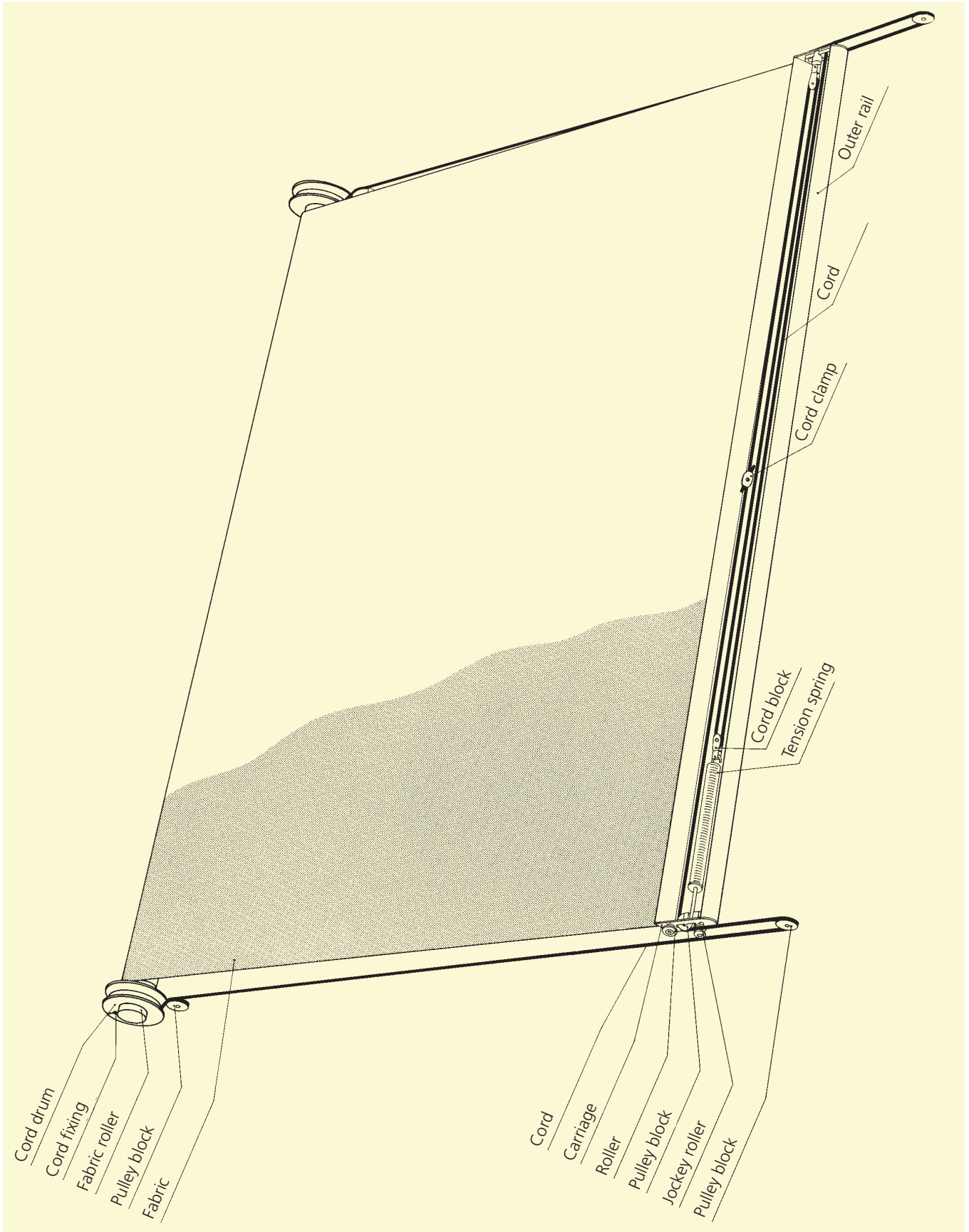


Joint with 2 motors: Each section next to the joint is driven by a separate motor.

Cross-sectional drawing, WGM 1030/1000 – not to scale

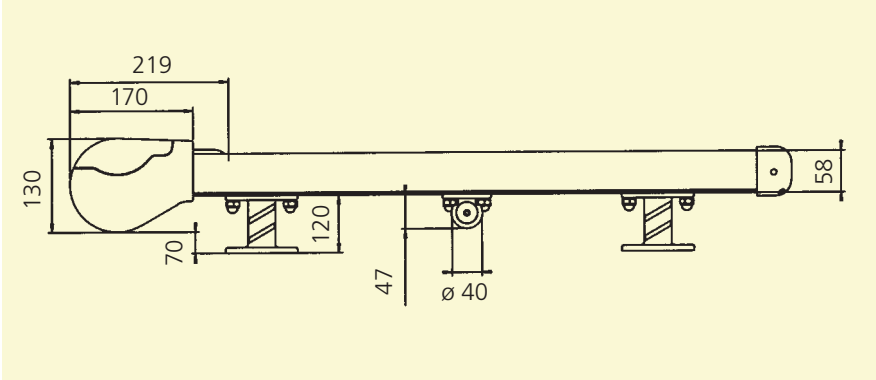


Functional drawing, WGM 1030 single section flat unit



We reserve the right to make technical alterations. December 2006

Overall views

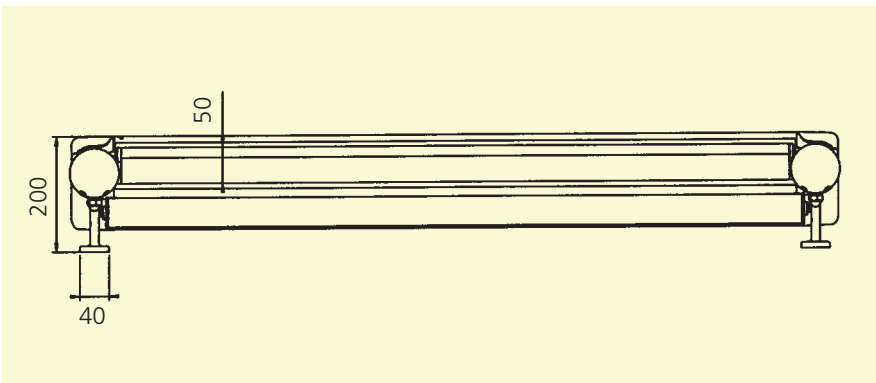


Viewed from side

WGM 1030 0-1-1

Single section flat unit with 1 motor, height of support bracket here 120 mm

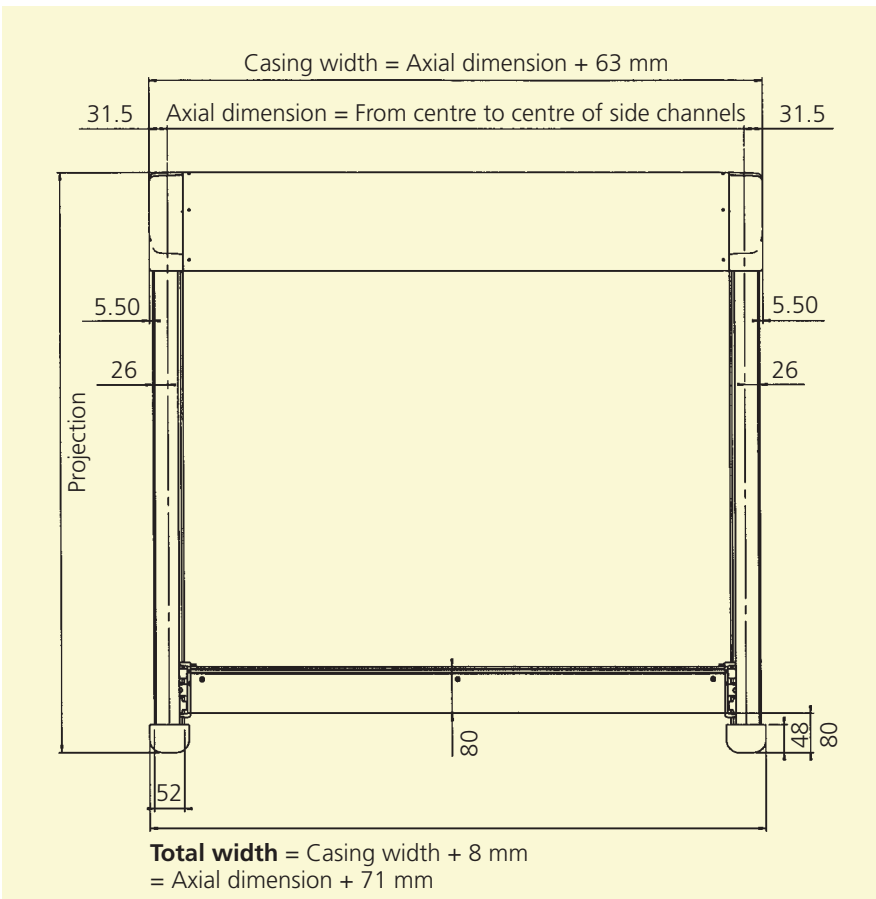
When establishing the fixing height, check for any opening windows, gutters, etc.



Viewed from front

WGM 1030 0-1-1

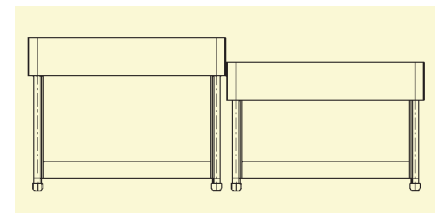
Single section flat unit with 1 motor, height of support bracket here 120 mm



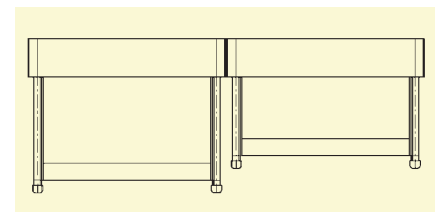
Viewed from above

WGM 1030 0-1-1

Single section flat unit with 1 motor

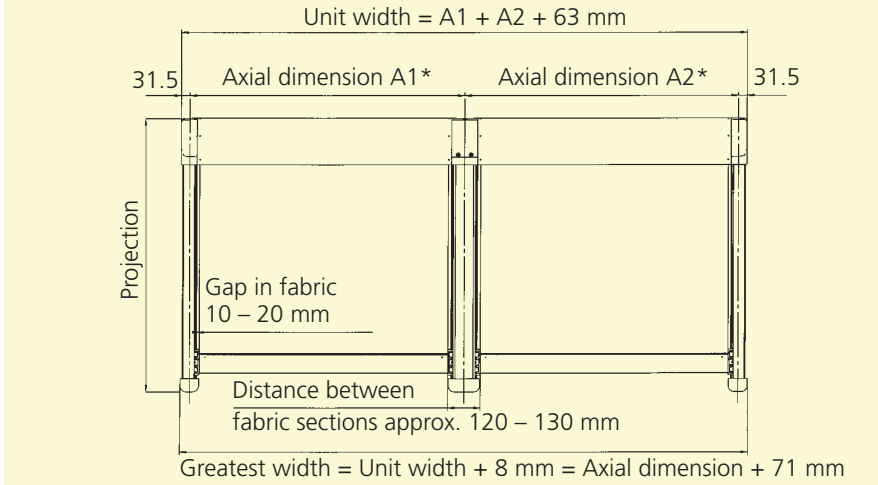


Offset units with differing projection lengths are technically possible. In this case, one motor is required for each section.



Series-connected units with differing projections are also technically feasible.

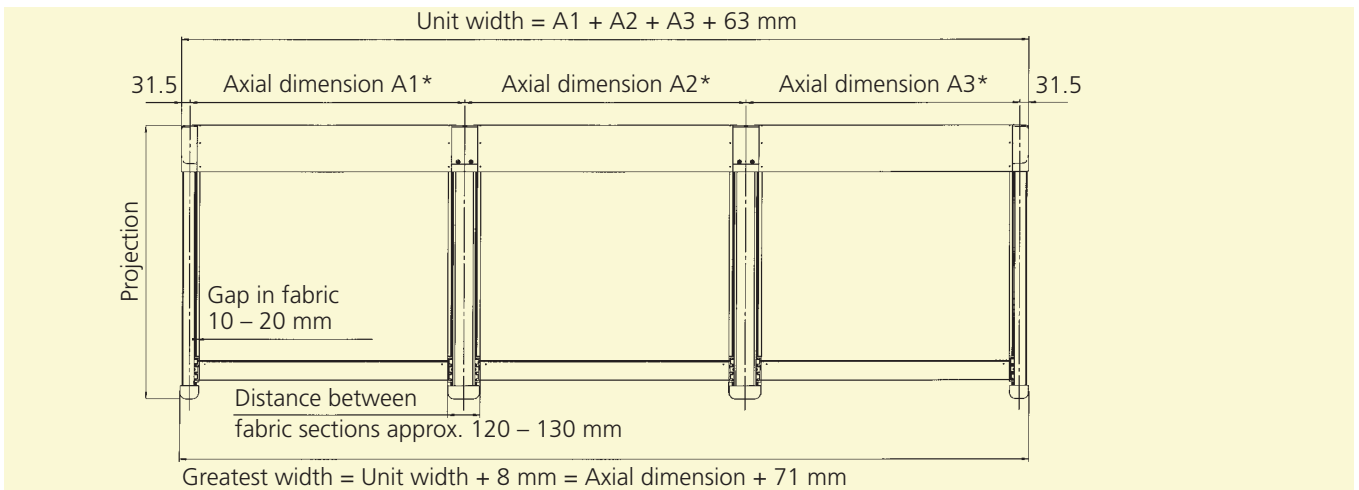
Multi-section units viewed from above



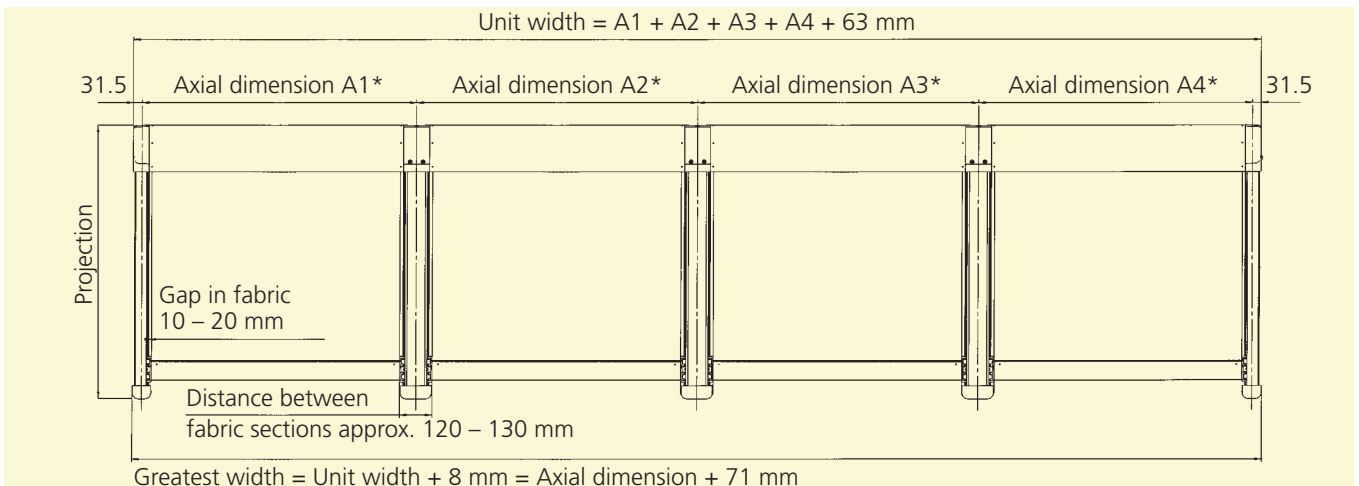
WGM 1000 0-2-1
Two section flat unit
 coupled with 1 motor (above)

* Axial dimension of **WGM 1030** =
 centre to centre of side channels

WGM 1030 0-3-2
Three section flat unit coupled with 2 motors (centre)



WGM 1030 0-4-2
Four section flat unit coupled with 2 motors (below)



We reserve the right to make technical alterations. December 2006

Type designations/establishing dimensions

Example 1 WGM 1030 0-3-2 flat unit

Type key:

- 0 = No. of bends
= flat unit
- 3 = No. of sections
- 2 = No. of motors

Establishing dimensions

Projection =

rear edge of casing to front edge of side channel cap

Axial dimension =

centre to centre of side channel

Section width =

centre to centre of side channel

Example 2 WGM 1000 1-3-2 solar bend unit

Type key:

- 1 = No. of bends
= Solar bend unit
- 3 = No. of sections
- 2 = No. of motors

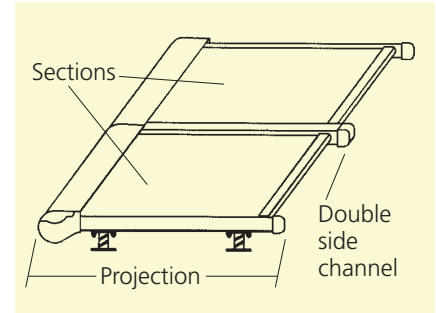
Standard radius of bend: 30 cm

internal. On units with 1 bend* the maximum angle of the bend is 35°

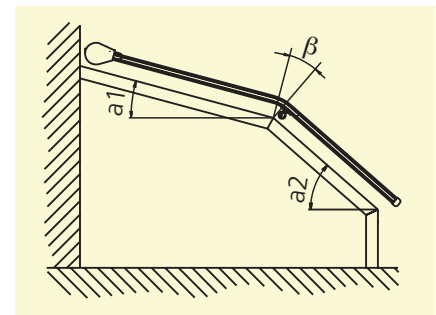
The angle of bend is different each time, depending on the sub-structure, max. fabric area 16 m²

Bend angle = β

$$\beta = \alpha_2 - \alpha_1$$



WGM 1030 flat unit 0-2-1
0 bends, 2 sections, 1 motor







WGM 1000 solar bend unit 1-2-2
1 bend, 2 sections, 2 motors

Overview of types, WGM 1030/WGM 1000 with acrylic fabric

Fig.	Type WGM 1030	No. of sections	No. of motors	Max. projection		Axial dimension from – to		Axial dimension single section min. – max. in cm	
				in cm		in cm			
	0-1-1	1	1	– 200		78 – 450			
				201 – 300		85 – 450			
				301 – 400		140 – 450			
				401 – 500		150 – 400			
	0-2-1	2	1	– 200		156 – 900		78 – 450	
				201 – 300		170 – 900		85 – 450	
	0-2-2	2	2	301 – 400		280 – 900		140 – 450	
				401 – 500		300 – 800		150 – 400	
		0-3-2	3	2	– 200		234 – 1350		78 – 450
					201 – 300		255 – 1350		85 – 450
301 – 400					420 – 1350		140 – 450		
401 – 500					450 – 1200		150 – 400		
	0-4-2	4	2	– 200		312 – 1800		78 – 450	
				201 – 300		340 – 1800		85 – 450	
				301 – 400		560 – 1800		140 – 450	
				401 – 500		600 – 1600		150 – 400	
Fig.	Type WGM 1000	No. of sections	No. of motors	Max. projection		Axial dimension from – to		Axial dimension single section min. – max. in cm	
				in cm		in cm			
	1-1-1	1	1	– 200		88 – 400			
				201 – 300		95 – 400			
				301 – 400		150 – 400			
				401 – 500		160 – 400			
	1-2-1	2	1	– 200		166 – 800		88 – 400	
				201 – 300		190 – 800		95 – 400	
	1-2-2	2	2	301 – 400		300 – 800		150 – 400	
				401 – 500		320 – 800		160 – 400	
		1-3-2	3	2	– 200		264 – 1200		88 – 400
					201 – 300		285 – 1200		95 – 400
301 – 400					450 – 1200		150 – 400		
401 – 500					480 – 1200		160 – 400		

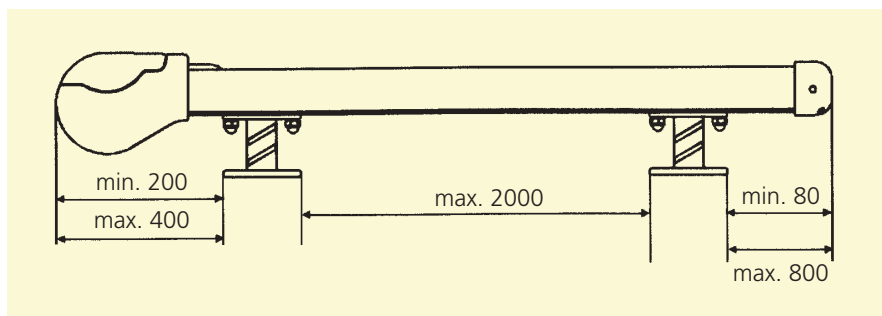
Overview of types, WGM 1030 with Soltis fabric

Fig.	Type WGM 1030	No. of sections	No. of motors	Max. projection		Axial dimension from – to		Axial dimension single section min. – max.	
				in cm		in cm		in cm	
	0-1-1	1	1	– 100		78 – 450			
				101 – 150		85 – 450			
				151 – 250		150 – 450			
				251 – 350		170 – 450			
	0-2-1	2	1	– 100		156 – 900		78 – 450	
				101 – 150		170 – 900		85 – 450	
	0-2-2	2	2	151 – 250		300 – 900		150 – 450	
				251 – 350		340 – 900		170 – 450	
	0-3-2	3	2	– 100		234 – 1350		78 – 450	
				101 – 150		255 – 1350		85 – 450	
				151 – 250		450 – 1350		150 – 450	
				251 – 350		510 – 1350		170 – 450	
	0-4-2	4	2	– 100		312 – 1800		78 – 450	
				101 – 150		340 – 1800		85 – 450	
				151 – 250		600 – 1800		150 – 450	
				251 – 350		680 – 1800		170 – 450	

Attachment

Standard method of attachment of WGM 1030/1000, casing always free-standing.

Important dimensions for positions of brackets



No. brackets WGM 1030/1000

Type	Projection in cm								
	up to 100	101 – 150	151 – 200	201 – 250	251 – 300	301 – 350	351 – 400	401 – 450	451 – 500
1030-0-1-1	4	4	4	4	6	6	6	6	8
1030-0-2-1	6	6	6	6	9	9	9	9	12
1030-0-2-2	6	6	6	6	9	9	9	9	12
1030-0-3-2	8	8	8	8	12	12	12	12	16
1030-0-4-2	10	10	10	10	15	15	15	15	20
1000-1-1-1	4	4	6	6	8	8	8	8	10
1000-1-2-1	6	6	9	9	12	12	12	12	15
1000-1-2-2	6	6	9	9	12	12	12	12	15
1000-1-3-2	8	8	12	12	16	16	16	16	20

Use of distance bars

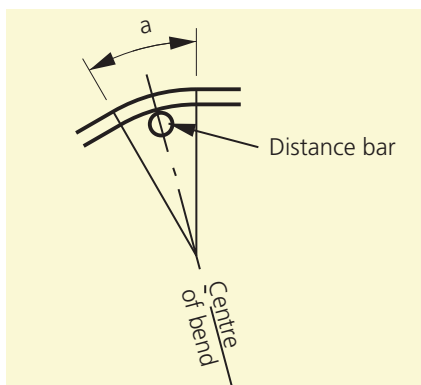
For the flat area (ø 40 mm)

Axial dimension in cm	Support brackets in cm	Projection in cm				
		up to 200	201 – 250	251 – 300	301 – 400	401 – 500
up to 450	from 12 cm	–	–	–	–	1*
up to 300	8 up to 12 cm	–	–	–	1**	1*
301 – 400	8 up to 12 cm	–	–	1**	1**	2***
401 – 450	8 up to 12 cm	–	1**	1**	1**	2***

* included in basic price as standard, see price list

** not included in basic price as standard, see price list for extra cost

*** 1 distance bar included in basic price as standard, 2 distance bars are technically necessary (for support bracket height under 12 cm)



The use of distance bars depends on the height of the support brackets.

In the area of the bend a distance bar of about 60 mm diameter is used.

Where there are strong winds and a weak substructure, or similar, we recommend using more support brackets and distance bars.

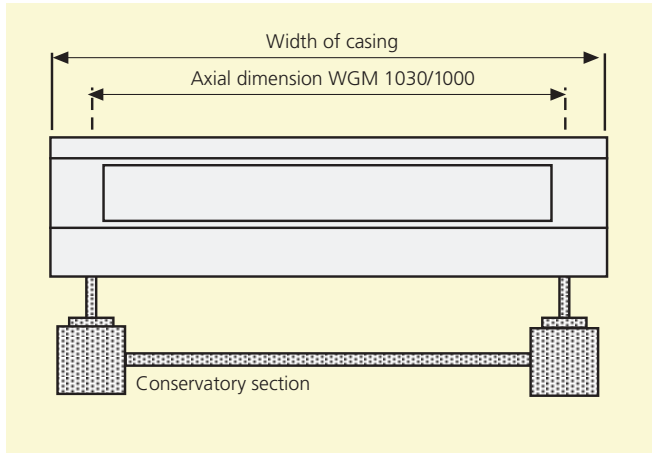
Please also note the details in the current weinor price list. A bracket must be fitted at the joints between two side channels (solar bend units).

i Please note that despite their perfection and the large quantity of materials used, the **WGM 1030/1000** are only sunshades.

Information about supply Attention:

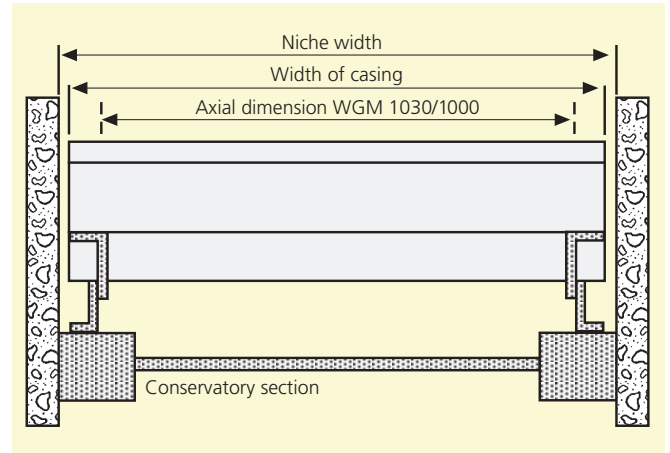
- Units with SOLTIS fabrics can only be supplied in certain sizes (see table and price list)
- Soltis is not available for solar bend units
- Units which are to open from the bottom upwards are only available on request
- Motor drive without switch, plug, Hirschmann coupling as standard
- Fixings for the substructure are not supplied as standard

Mounting versions



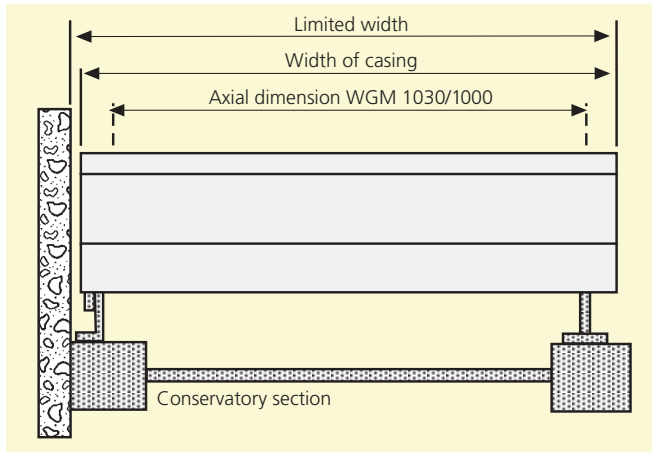
Unlimited sideways width of casing

E.g. mounting on a conservatory with standard support bracket.



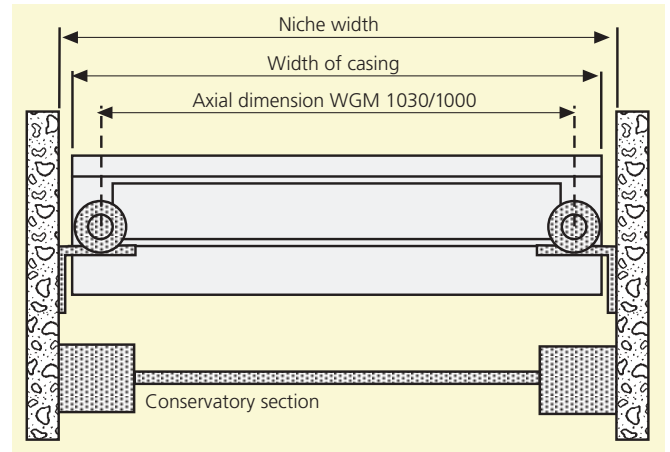
Width of casing limited on both sides

E.g. mounting to the brickwork with an angle bracket. In this case, the **WGM 1030's** axial dimension may differ from the axial dimension of the substructure. E.g. mounting on a conservatory with double angle bracket or niche support bracket.



Width of casing limited on one side

E.g. limited side with double angle bracket or niche support bracket, free side with standard support bracket.



Width of casing limited on both sides

E.g. mounting on brickwork with wall angle bracket.

i Limited width (e.g. niche) minus space (min. 10 mm) = casing width. Casing width minus 63 mm = **WGM** axial dimension

Single-section unit: minimum niche width = axial dimension + 91 mm.

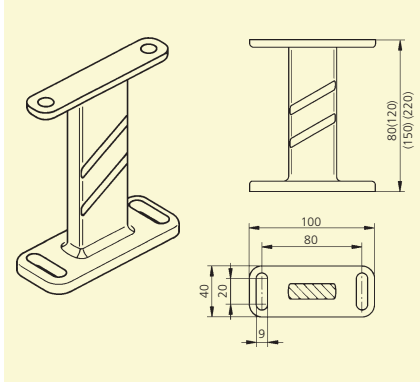
Multi-section units: if the casings of the unit sections are to be coupled in the niche/embrasure,

approx. 6 cm space must be allowed for connecting (coupling) the last section of the unit.

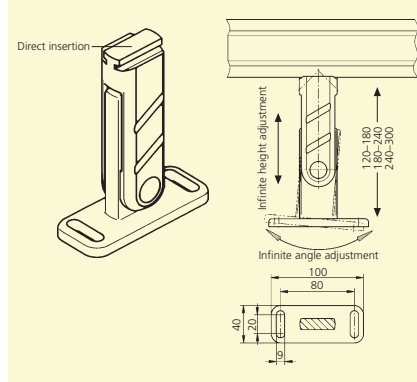
If the unit sections can be coupled outside the niche/embrasure, the space requirement is the same as for a single-section unit.

The **WGM 1030/1000** can expand by up to 1 mm (approx.) in the heat.

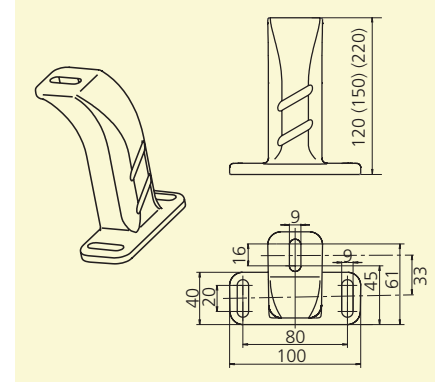
Support brackets



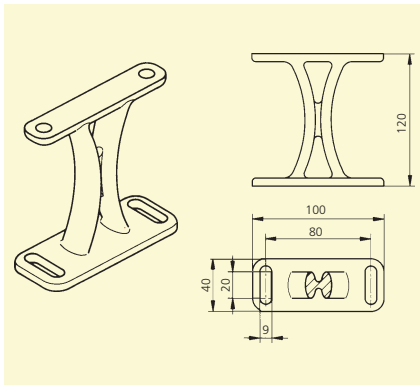
Standard support bracket, Modern
 Height: 80 mm, 120 mm, 150 mm, 220 mm
 Distance bars may be necessary, see table, not for solar bend units



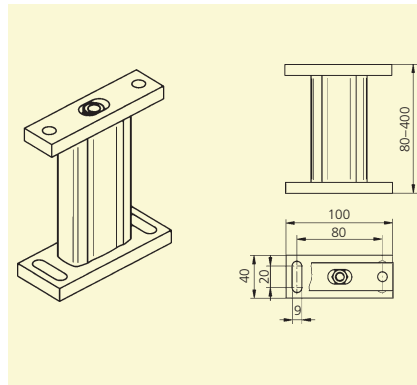
Universal support bracket, adjustable height and angle, with direct insertion
 Height: 120 – 180 mm, 180 – 240 mm, 240 – 300 mm



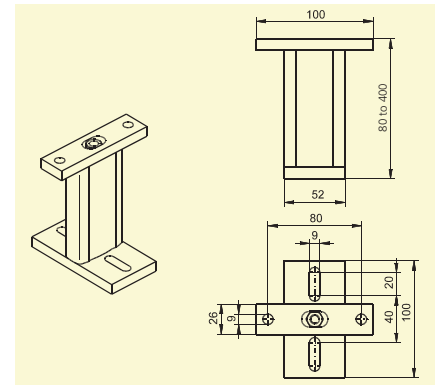
Niche support bracket
 Height 120 mm, 150 mm, 220 mm



Standard support bracket, Gothic
 Height: 120 mm



Special support bracket
 Height 59 – 400 mm



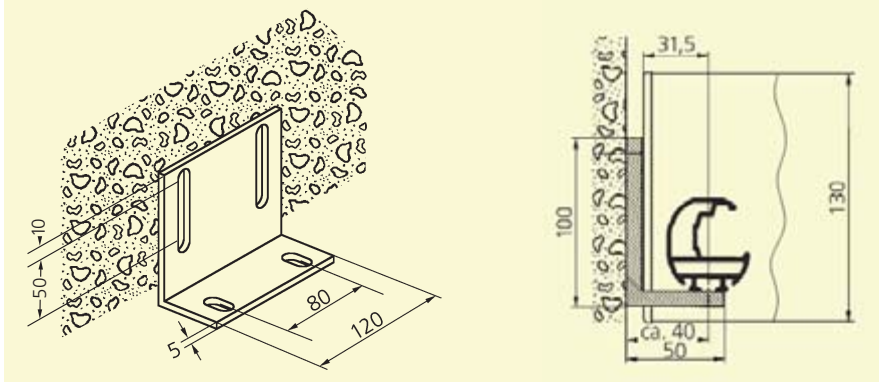
X-shaped support bracket
 Height 80 – 400 mm



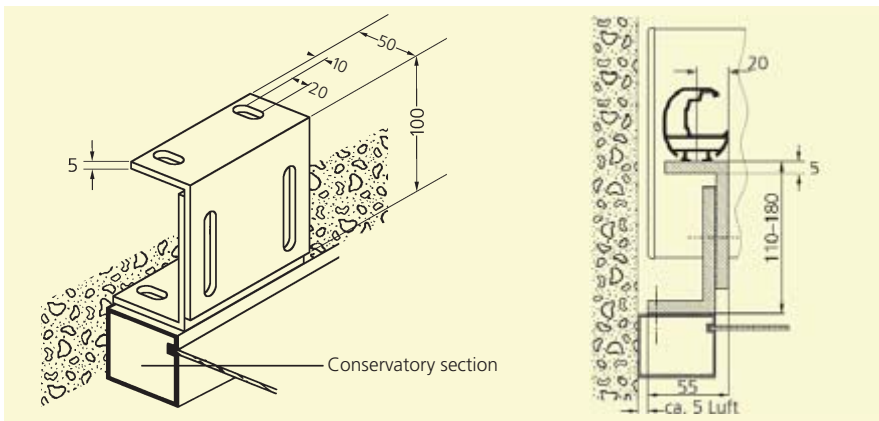
Fixing bracket for wind and sun sensor

We reserve the right to make technical alterations. December 2006

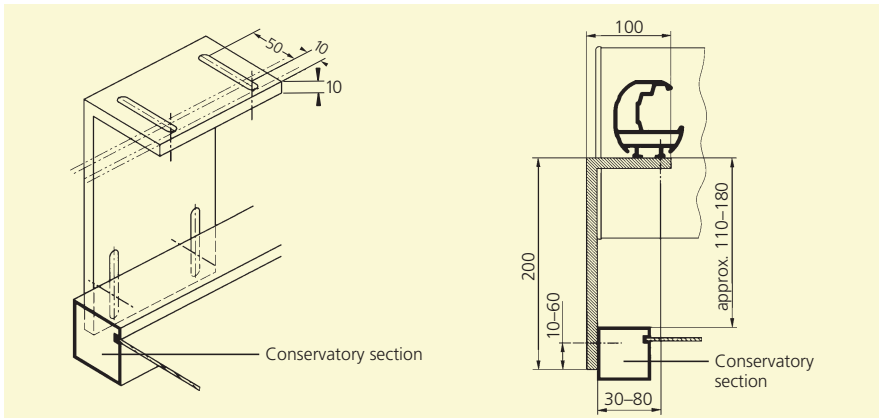
Angle brackets



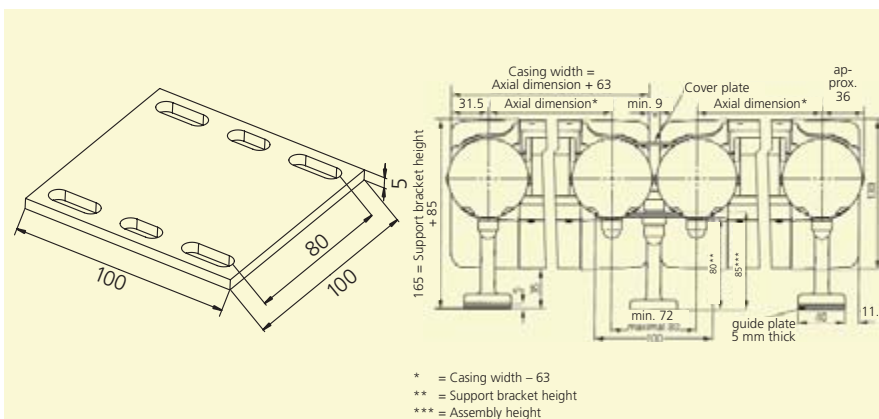
Bracket
for attachment to the side of the wall



Double angle bracket
height adjustable, for niche mounting



Long angle bracket
for fitting to the side of the conservatory



Fixing plate
for multi-section units with separate side channels, height: 5 mm

* = Casing width - 63
** = Support bracket height
*** = Assembly height

